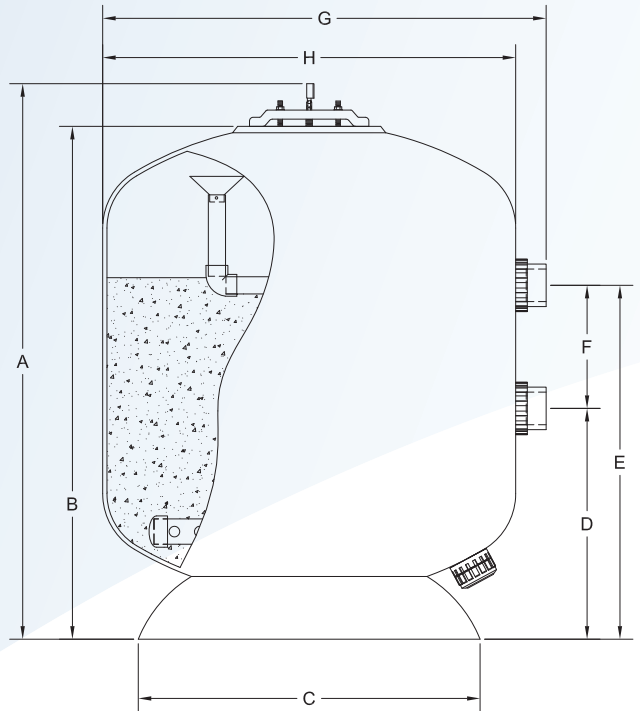
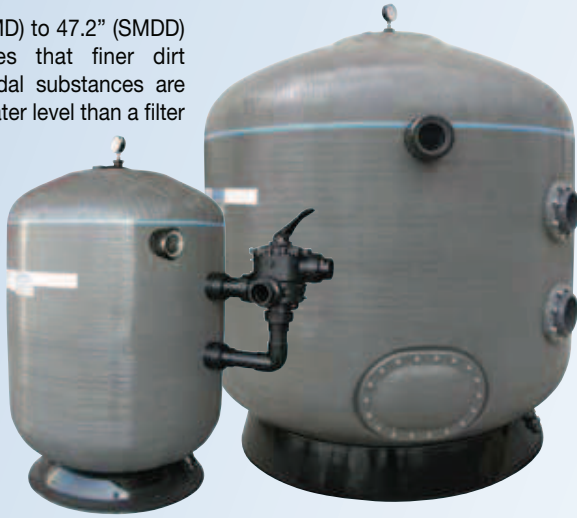


Micron Side Mount Deep Bed Filters (SMD & SMDD)

The effect of deep media bed improves the filtration efficiency over standard High-rate filters by providing enhanced in-depth filtration and increased dirt capacity. In addition, the greater bed depth permits efficient use of mixed bed filter media and water treatment media such as granular activated carbon.

The filter's 39.4" (SMD) to 47.2" (SMDD) media bed ensures that finer dirt particles and colloidal substances are retained to a far greater level than a filter with a shallower bed depth.



Micron SMD Specification

Filter Model	Valve Size In	Bed Depth Inches	Inner Diameter Inches	Filter Area feet ²	Flow Rates		Media (lbs)	
					15gpm/ft ²	20gpm/ft ²	Sand	Gravel
SMD900 (36")	2"	39"	35.5"	4.9	74	98	630	0
SMD900 (36")	2.5"	39"	35.5"	7.1	107	142	950	0
SMD1050 (42")	3"	39"	41.4"	9.6	144	192	900	200
SMD1200 (48")	4"	39"	47.2"	12.6	189	252	2100	550
SMD1400 (54")	4"	39"	55.1"	16.5	248	330	4800	750
SMD1600 (63")	4"	39"	63"	21.6	324	432	5800	1400
SMD1600 (63")	6"	39"	63"	21.6	324	432	5800	1400
SMD1800 (71")	6"	39"	70.9"	27.5	413	550	7500	1700
SMD2000 (79")	6"	39"	78.7"	34.1	512	682	10100	2000

Micron SMD Dimension (inch)

Model	Connection Size	Drain Port Size	A	B	C	D	E	F	G	H
SMD900 (36")	2"	1-1/2"	69.40	65.20	26.00	42.20	50.20	8.00	39.59	36.50
SMD900 (36")	2.5"	1-1/2"	69.40	65.20	26.00	42.20	50.20	8.00	39.59	36.50
SMD1050 (42")	3"	1-1/2"	74.24	68.31	41.00	29.29	47.63	18.34	47.86	43.00
SMD1200 (48")	4"	1-1/2"	74.83	68.90	41.00	29.92	46.93	17.01	52.65	48.50
SMD1400 (54")	4"	3"	76.80	70.87	47.24	31.89	48.90	17.01	61.29	57.09
SMD1600 (63")	4"	3"	76.80	72.68	47.24	28.23	47.24	19.01	68.27	65.18
SMD1600 (63")	6"	3"	76.80	72.68	47.24	28.23	47.24	19.01	71.05	65.18
SMD1800 (71")	6"	3"	77.95	72.05	69.00	26.97	45.98	19.01	74.76	72.05
SMD2000 (79")	6"	3"	81.05	75.12	69.00	28.82	47.83	19.01	83.41	80.31



Description: Waterco Micron Commercial sand filter – 55” commercial filter – SMD1400

Part Number: 22501404101(w/o valve)

Media Capacity: 4,800 lbs sand, 750 lbs gravel

Surface Area: 16.49 sq ft

Bulkhead Size: 4”

Filtration Rate: 15 GPM/Sq ft – 20 GPM/Sq ft

Flow Rate: 247.4 gpm (15), 329.8 gpm (20)

Media Type: #20 Silica sand (.45mm to .55mm kernel size) Pea gravel (2.5mm to 4mm)

Features:

Tank construction: Fiberglass base, filament wound

Lateral system: Full 1” threaded laterals

Bulkhead assembly: 4”

Maximum operating pressure: 50psi

Internal air venting system: Continuous

Manhole inspection/service opening: 12” x 16” dual yoke manway

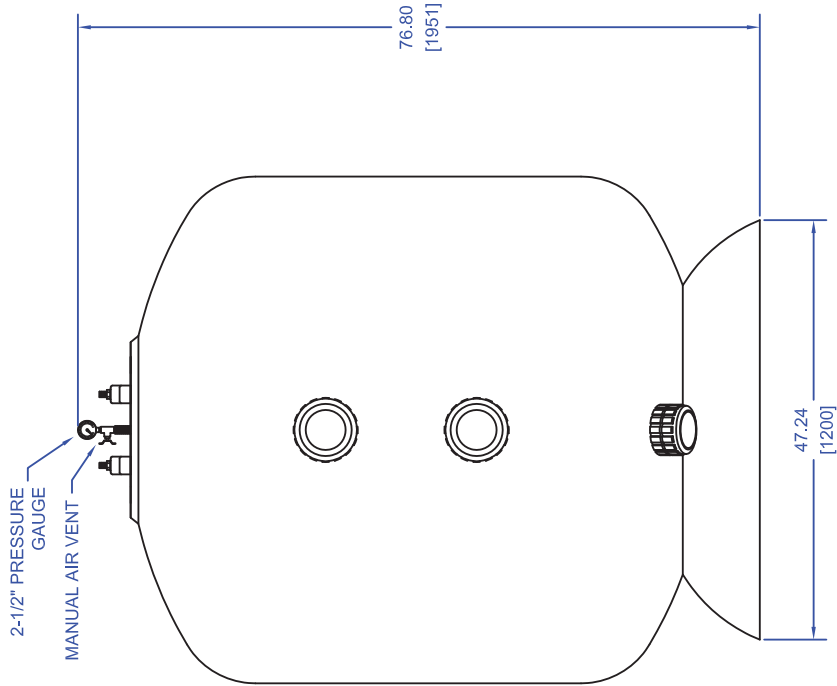
Dual overdrain distribution system: Insures even distribution of influent water

Balanced underdrain lateral system: Insures even flow of effluent water

Warranty: Tank – 5 years from date of installation

Internals – 1 year from date of installation

Shipping weight: 556 lbs



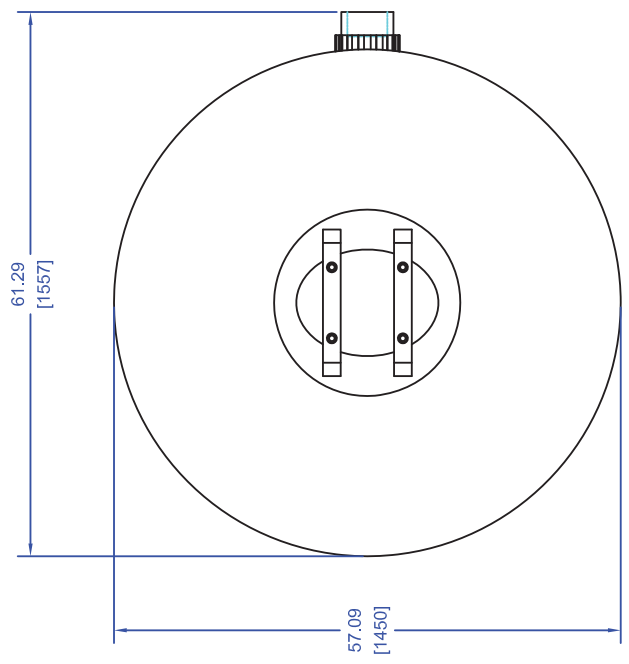
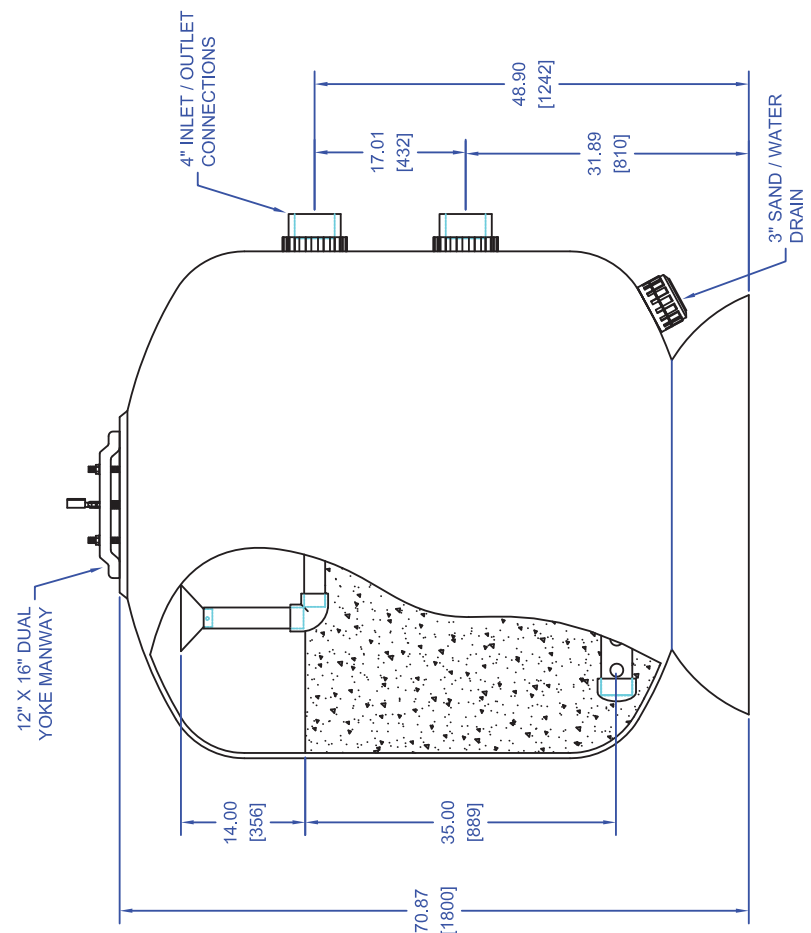
FILTER DATA	
TOTAL SURFACE AREA:	16.49 SQ. FT.
MAX WORKING PRESSURE:	50 PSI.
MAX FLOW RATE:	20 GPM / SQ. FT.
MEDIA REQUIREMENTS	
SAND:	4,800 LBS
GRAVEL:	750 LBS.
WEIGHTS	
FILTER SHIPPING WEIGHT	556 LBS
FILTER OPERATING WEIGHT:	10,000 LBS*

* APPROXIMATE OPERATING WEIGHT

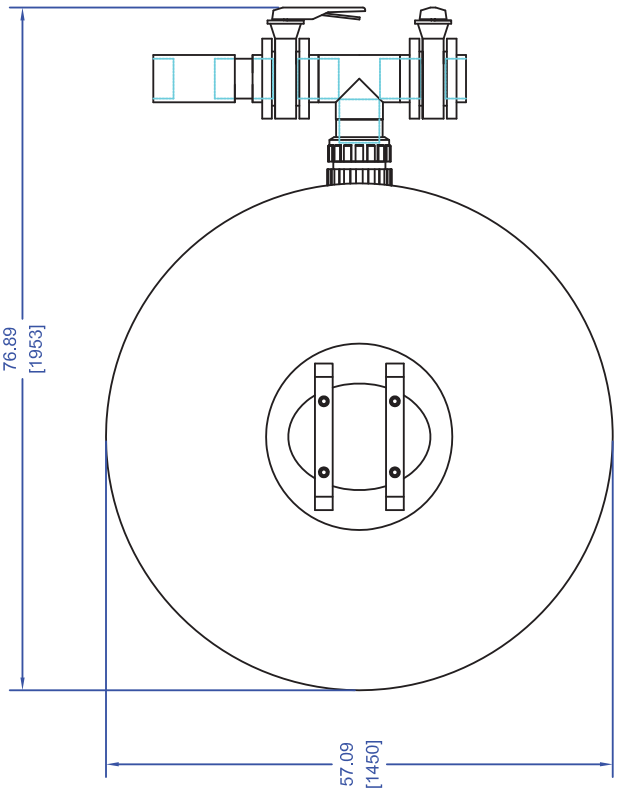
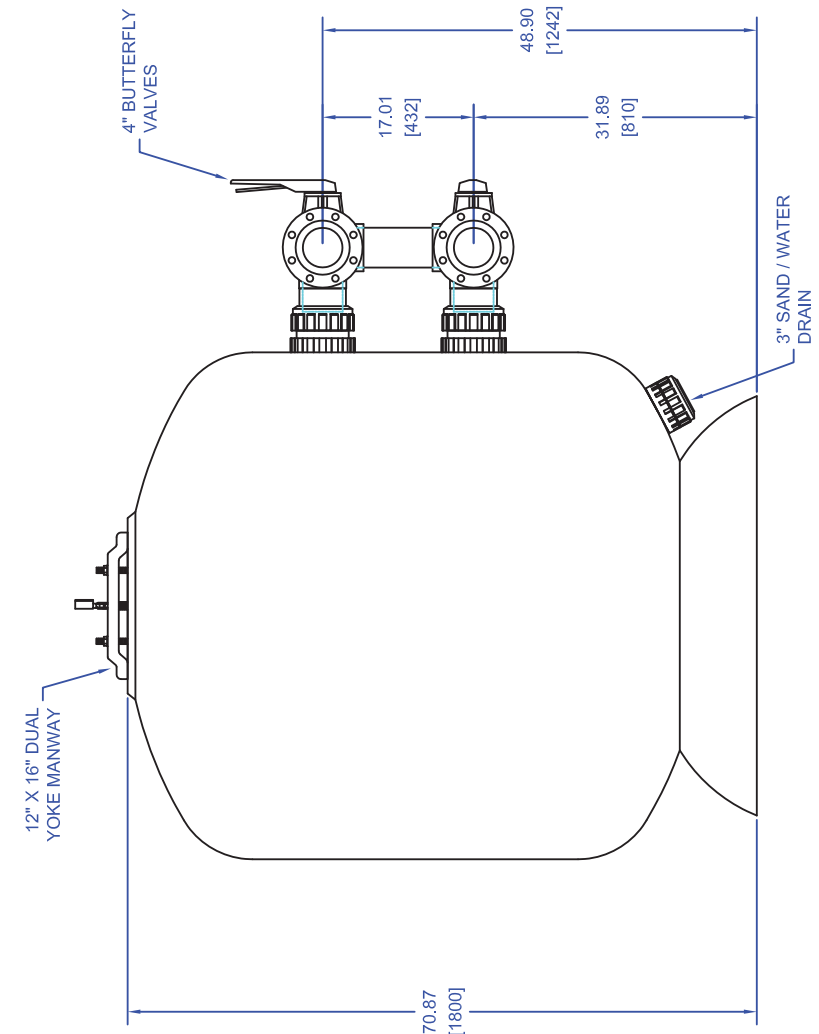
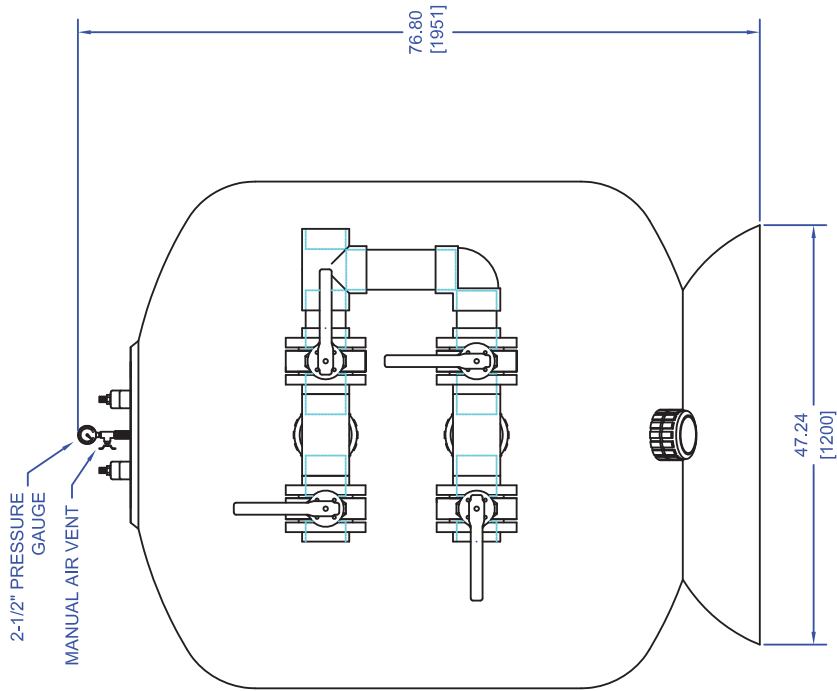


WATERCO MICRON SMD1400
55" WITH 4" CONNECTIONS

DRAWN BY:	MM	DWG. NO.:	22501404101	REP.:	
SCALE:	N.T.S.	DATE:	9/13/09	CHECKED:	



- GENERAL NOTES:
1. MEDIA NOT INCLUDED WITH FILTER.
 2. CONCRETE SLAB TO BE DESIGNED BY OTHERS.
 3. FILTER MADE FROM HIGH STRENGTH FIBERGLASS AND RESINS.
 4. ALL INTERNAL COMPONENTS CONSTRUCTED OF SCHEDULE 80 PVC.



FILTER DATA	
TOTAL SURFACE AREA:	16.49 SQ. FT.
MAX WORKING PRESSURE:	50 PSI.
MAX FLOW RATE:	20 GPM / SQ. FT.
MEDIA REQUIREMENTS	
SAND:	4,800 LBS
GRAVEL:	750 LBS.
WEIGHTS	
FILTER SHIPPING WEIGHT	556 LBS
FILTER OPERATING WEIGHT:	10,000 LBS*

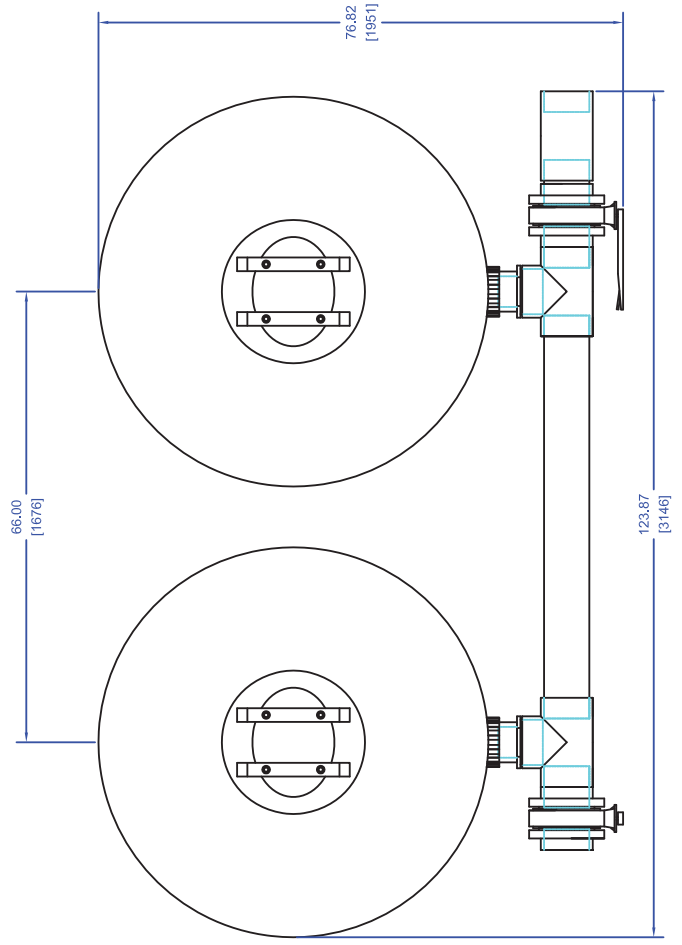
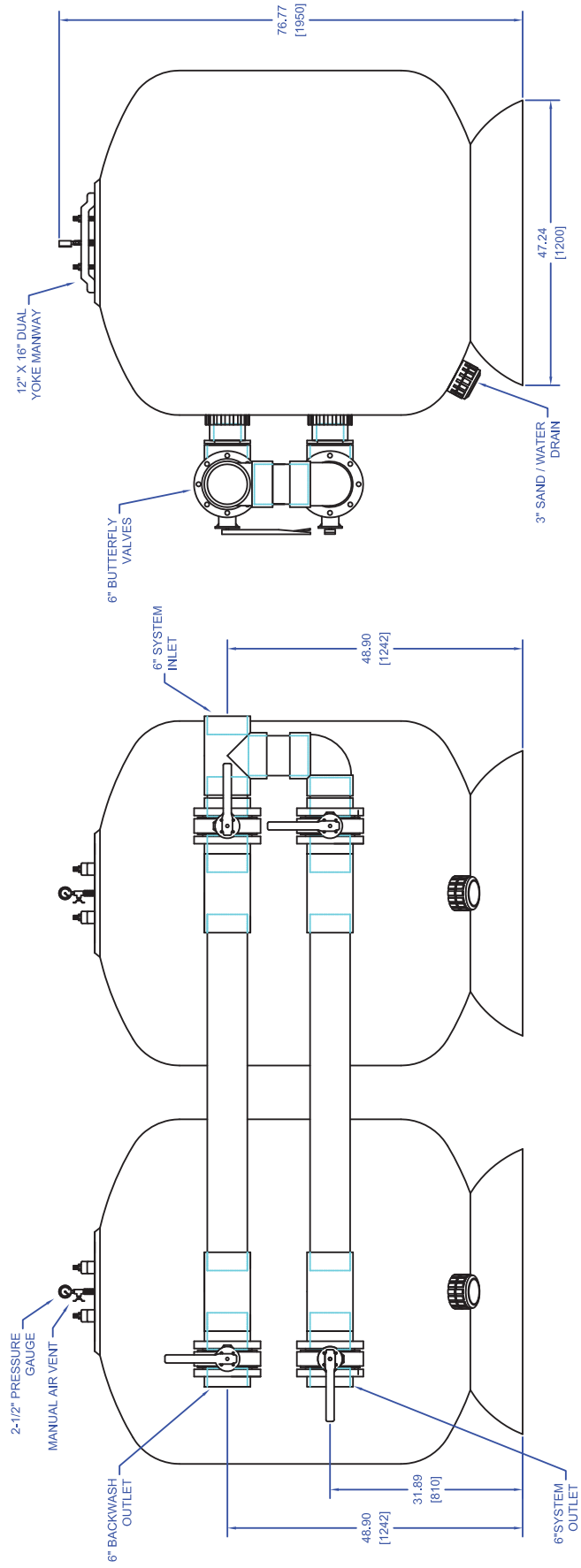
* APPROXIMATE OPERATING WEIGHT



WATERCO MICRON SMD1400
55" WITH 4" 4-VALVE MANIFOLD

DRAWN BY:	MM	DWG. NO.:	SMD1400-1	REP.:	
SCALE:	N.T.S.	DATE:	6/13/09	CHECKED:	

- GENERAL NOTES:
1. MEDIA NOT INCLUDED WITH FILTER.
 2. CONCRETE SLAB TO BE DESIGNED BY OTHERS.
 3. FILTER MADE FROM HIGH STRENGTH FIBERGLASS AND RESINS.
 4. ALL INTERNAL COMPONENTS CONSTRUCTED OF SCHEDULE 80 PVC.



FILTER DATA

TOTAL SURFACE AREA:	32.98 SQ. FT.
MAX WORKING PRESSURE:	50 PSI.
MAX FLOW RATE:	20 GPM / SQ. FT.
MEDIA REQUIREMENTS	
SAND:	4,800 LBS EA.
GRAVEL:	750 LBS. EA.
WEIGHTS	
FILTER SHIPPING WEIGHT	556 LBS EA.
FILTER OPERATING WEIGHT:	22,000 LBS*

* APPROXIMATE OPERATING WEIGHT



WATERCO MICRON SMD1400
DUAL 55" WITH 6" DUAL MANIFOLD

- GENERAL NOTES:
1. MEDIA NOT INCLUDED WITH FILTER.
 2. CONCRETE SLAB TO BE DESIGNED BY OTHERS.
 3. FILTER MADE FROM HIGH STRENGTH FIBERGLASS AND RESINS.
 4. ALL INTERNAL COMPONENTS CONSTRUCTED OF SCHEDULE 80 PVC.

SCALE: NTS	DWG. NO: SM1400-3	REP:
DATE: 6/15/09	CHECKED:	



Description: Waterco Micron Commercial sand filter – 63” commercial filter – SMD1600

Part Number: 22501604151 (w/o valve)

Media Capacity: 5,800 lbs sand, 1,400 lbs gravel

Surface Area: 21.64 sq ft

Bulkhead Size: 6”

Filtration Rate: 15 GPM/Sq ft – 20 GPM/Sq ft

Flow Rate: 324.6 gpm (15), 432.8 gpm (20)

Media Type: #20 Silica sand (.45mm to .55mm kernel size) Pea gravel (2.5mm to 4mm)

Features:

Tank construction: Fiberglass base, filament wound

Lateral system: Full 1” threaded laterals

Bulkhead assembly: 6”

Maximum operating pressure: 50psi

Internal air venting system: Continuous

Manhole inspection/service opening: 12” x 16” dual yoke manway

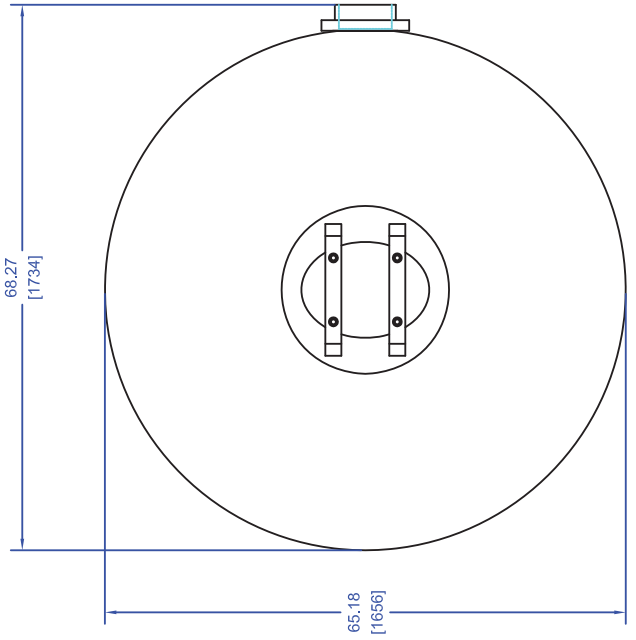
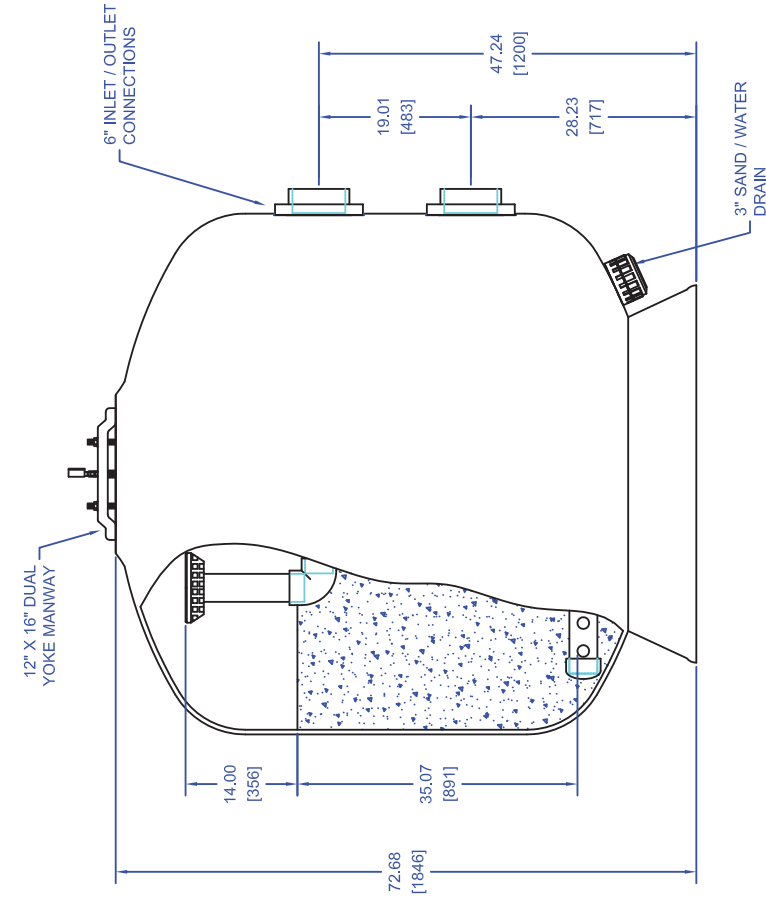
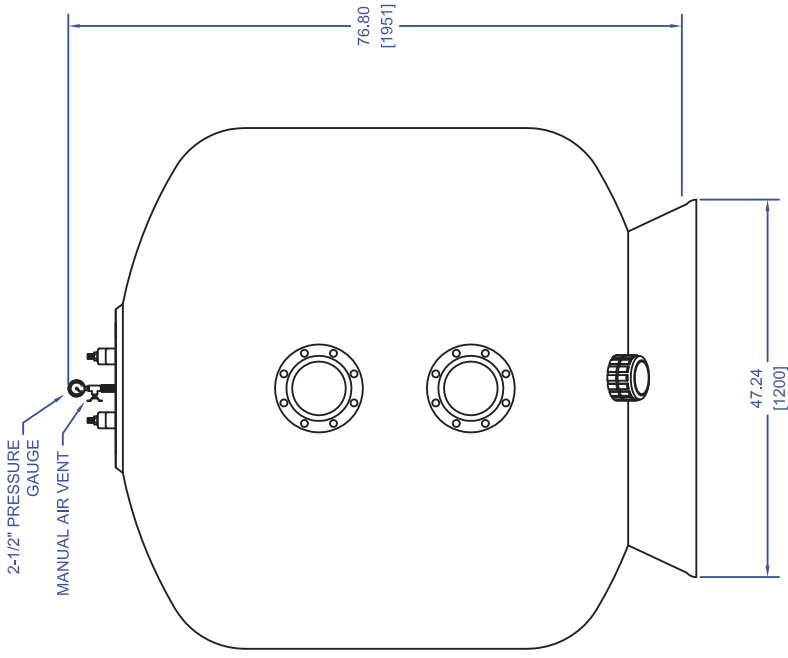
Dual overdrain distribution system: Insures even distribution of influent water

Balanced underdrain lateral system: Insures even flow of effluent water

Warranty: Tank – 5 years from date of installation

Internals – 1 year from date of installation

Shipping weight: 670 lbs



FILTER DATA	
TOTAL SURFACE AREA:	21.64 SQ. FT.
MAX WORKING PRESSURE:	50 PSI.
MAX FLOW RATE:	20 GPM / SQ. FT.
MEDIA REQUIREMENTS	
SAND:	5,800 LBS
GRAVEL:	1,400 LBS.
WEIGHTS	
FILTER SHIPPING WEIGHT:	670 LBS
FILTER OPERATING WEIGHT:	12,000 LBS*

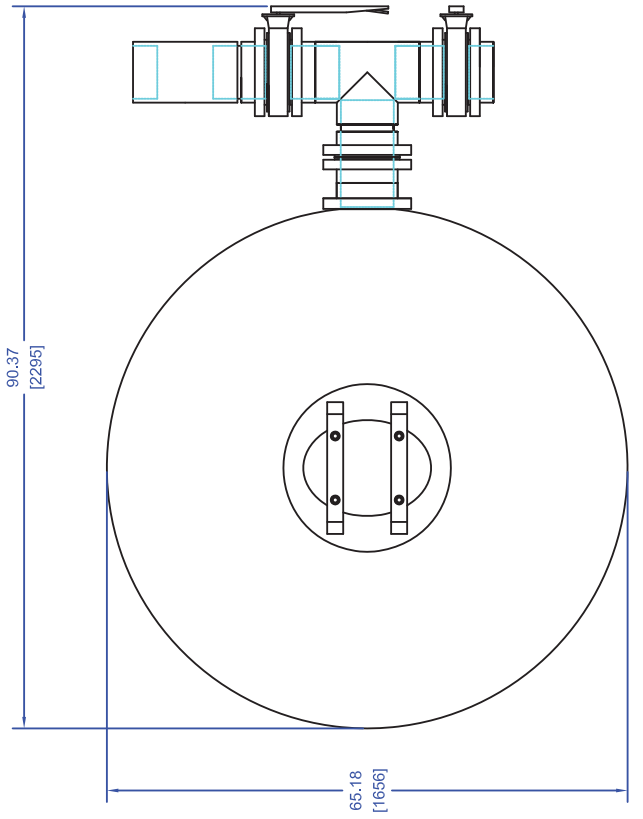
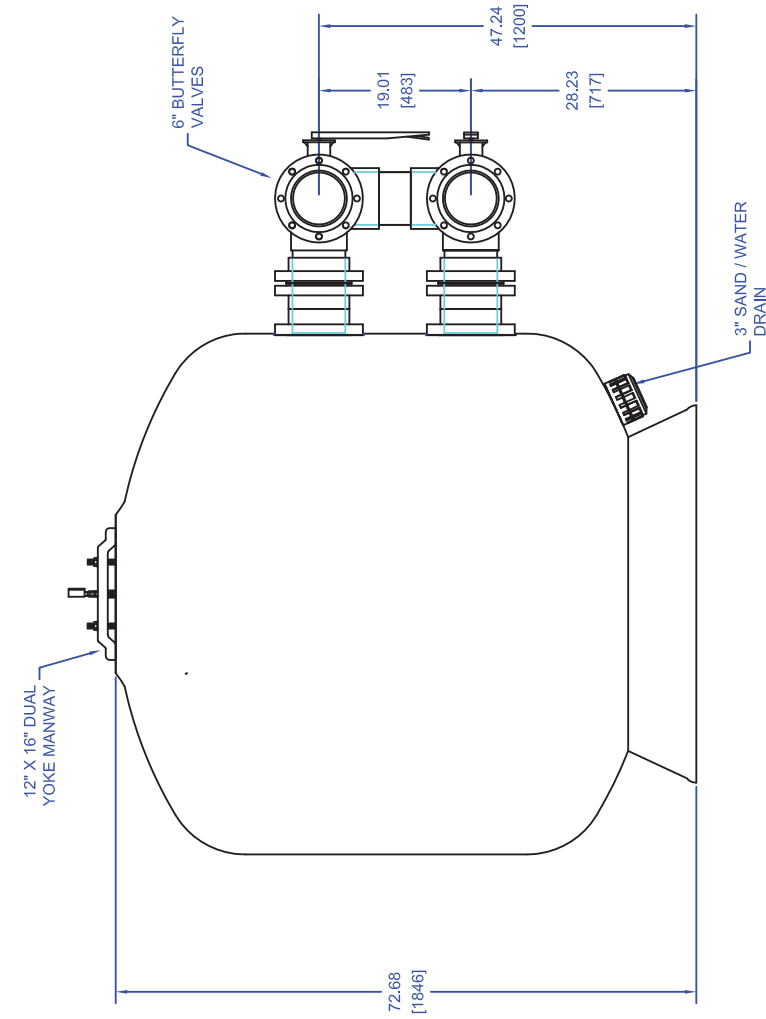
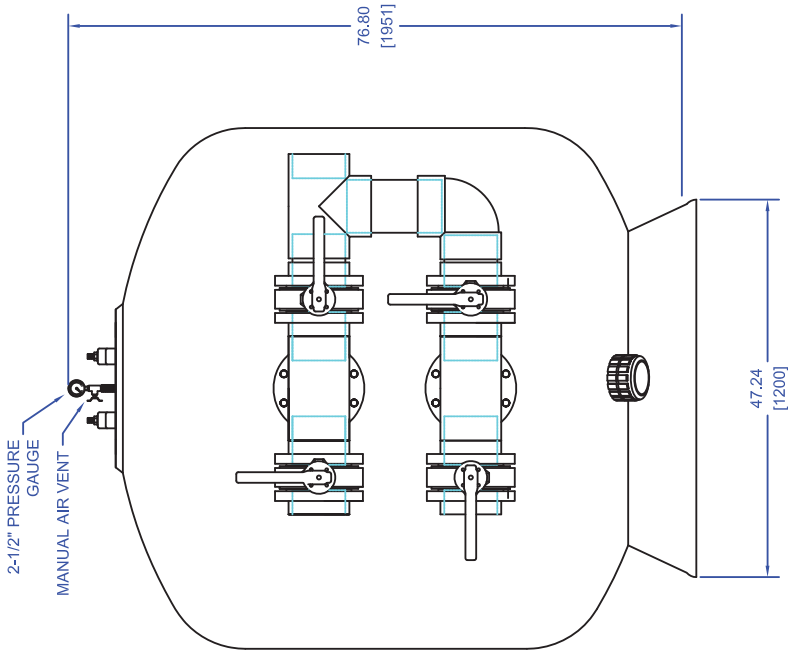
* APPROXIMATE OPERATING WEIGHT

- GENERAL NOTES:
1. MEDIA NOT INCLUDED WITH FILTER.
 2. CONCRETE SLAB TO BE DESIGNED BY OTHERS.
 3. FILTER MADE FROM HIGH STRENGTH FIBERGLASS AND RESINS.
 4. ALL INTERNAL COMPONENTS CONSTRUCTED OF SCHEDULE 80 PVC.



WATERCO MICRON SMD1600
63" WITH 6" CONNECTIONS

SCALE: NTS	DRAWN BY: MM	DWG. NO: 22501604151	REP:
	DATE: 9/15/09	CHECKED:	



FILTER DATA	
TOTAL SURFACE AREA:	21.64 SQ. FT.
MAX WORKING PRESSURE:	50 PSI.
MAX FLOW RATE:	20 GPM / SQ. FT.
MEDIA REQUIREMENTS	
SAND:	5,800 LBS
GRAVEL:	1,400 LBS.
WEIGHTS	
FILTER SHIPPING WEIGHT:	670 LBS
FILTER OPERATING WEIGHT:	12,000 LBS*

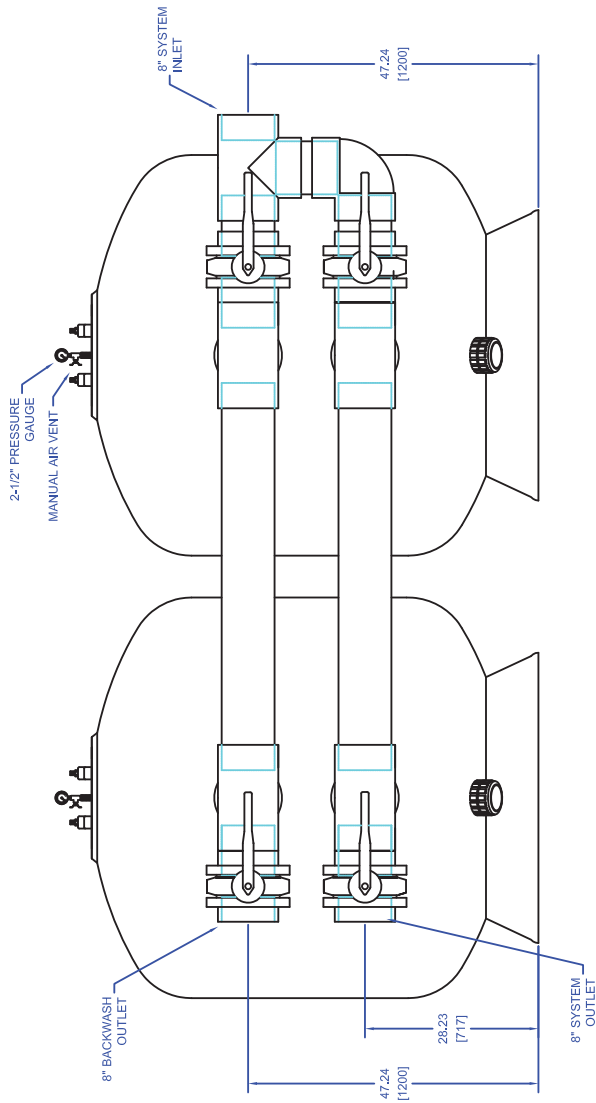
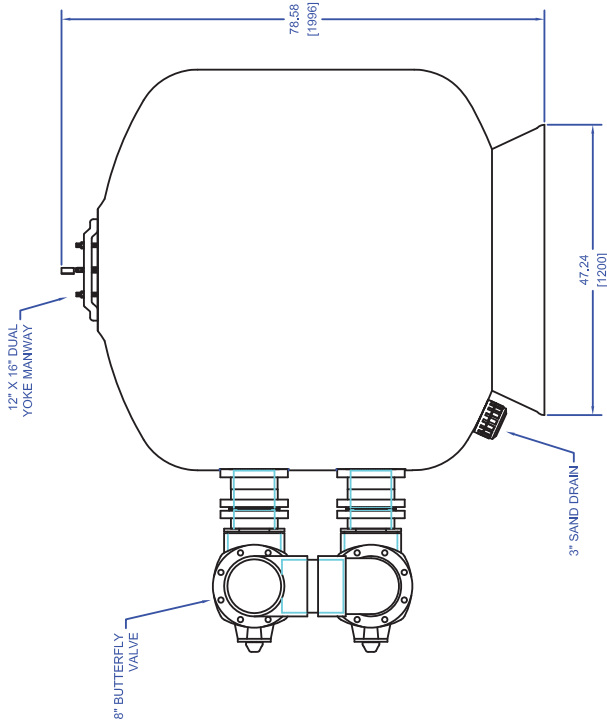
* APPROXIMATE OPERATING WEIGHT

- GENERAL NOTES:
1. MEDIA NOT INCLUDED WITH FILTER.
 2. CONCRETE SLAB TO BE DESIGNED BY OTHERS.
 3. FILTER MADE FROM HIGH STRENGTH FIBERGLASS AND RESINS.
 4. ALL INTERNAL COMPONENTS CONSTRUCTED OF SCHEDULE 80 PVC.



WATERCO MICRON SMD1600
63" WITH 6" 4-VALVE MANIFOLD

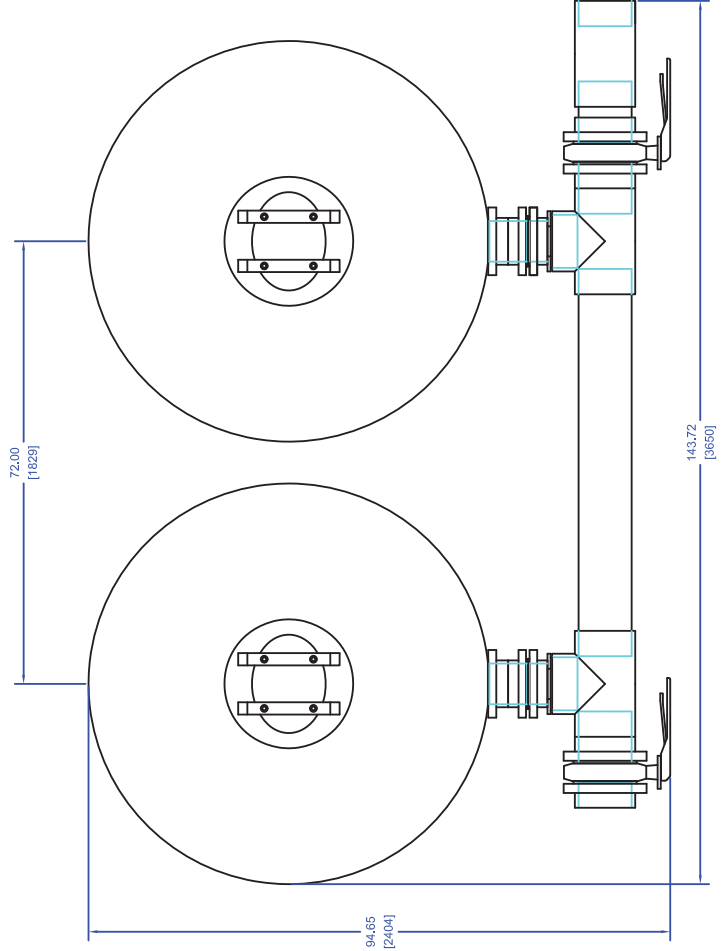
DRAWN BY:	MM	DWG. NO.:	SMD1600-1	REP.:	
SCALE:	N.T.S.	DATE:	6/13/09	CHECKED:	



- GENERAL NOTES:
1. MEDIA NOT INCLUDED WITH FILTER.
 2. CONCRETE SLAB TO BE DESIGNED BY OTHERS.
 3. FILTER MADE FROM HIGH STRENGTH FIBERGLASS AND RESINS.
 4. ALL INTERNAL COMPONENTS CONSTRUCTED OF SCHEDULE 80 PVC.

FILTER DATA	
TOTAL SURFACE AREA:	43.28 SQ. FT.
MAX WORKING PRESSURE:	50 PSI.
MAX FLOW RATE:	20 GPM / SQ. FT.
MEDIA REQUIREMENTS	
SAND:	5,800 LBS EA.
GRAVEL:	1,400 LBS. EA.
WEIGHTS	
FILTER SHIPPING WEIGHT:	670 LBS EA.
FILTER OPERATING WEIGHT:	25,000 LBS*

* APPROXIMATE OPERATING WEIGHT



WATERCO MICRON SMD1600
DUAL 63" WITH 8" DUAL MANIFOLD

DRAWN BY:	MM	DWG. NO.:	SM1600-3	REP.:	
SCALE: NTS		DATE:	6/15/09	CHECKED:	



Description: Waterco Micron Commercial sand filter – 71” commercial filter – SMD1800

Part Number: 22501804151 (w/o valve)

Media Capacity: 7,500 lbs sand, 1,700 lbs gravel

Surface Area: 27.48 sq ft

Bulkhead Size: 6”

Filtration Rate: 15 GPM/Sq ft – 20 GPM/Sq ft

Flow Rate: 412.2 gpm (15), 549.6 gpm (20)

Media Type: #20 Silica sand (.45mm to .55mm kernel size) Pea gravel (2.5mm to 4mm)

Features:

Tank construction: Fiberglass base, filament wound

Lateral system: Full 1” threaded laterals

Bulkhead assembly: 6”

Maximum operating pressure: 50psi

Internal air venting system: Continuous

Manhole inspection/service opening: 12” x 16” dual yoke manway

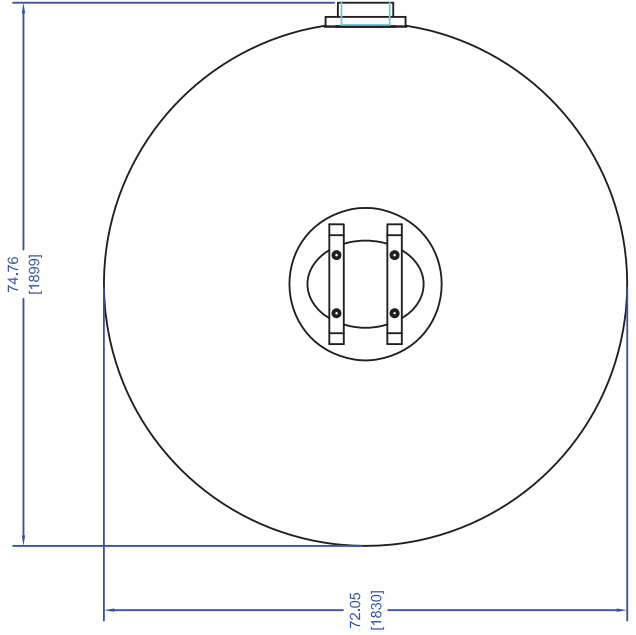
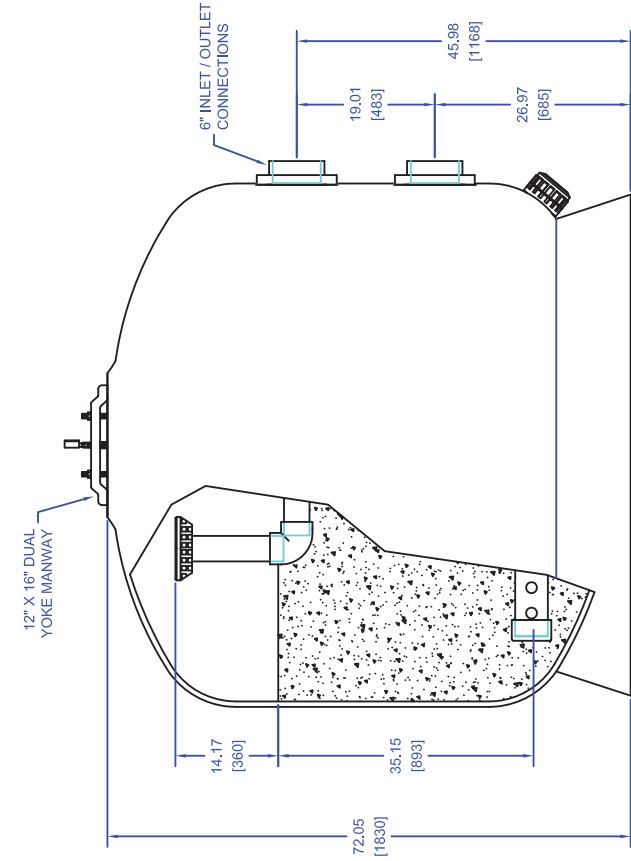
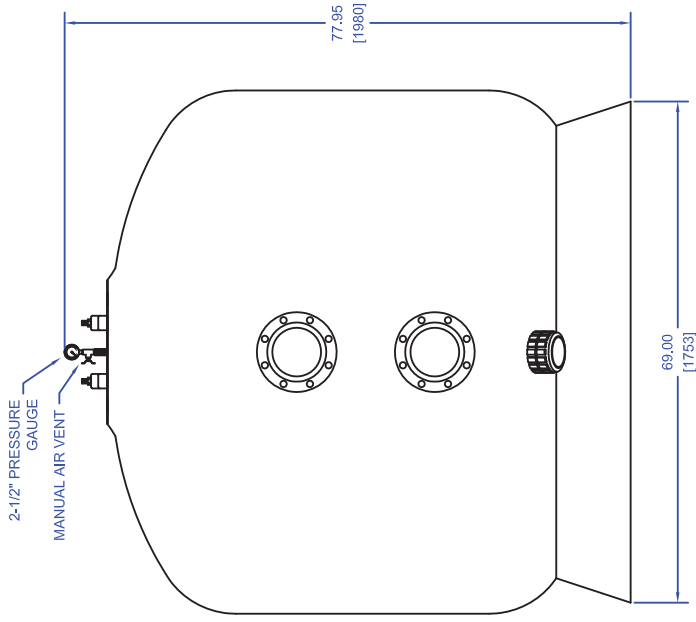
Dual overdrain distribution system: Insures even distribution of influent water

Balanced underdrain lateral system: Insures even flow of effluent water

Warranty: Tank – 5 years from date of installation

Internals – 1 year from date of installation

Shipping weight: 955 lbs



FILTER DATA	
TOTAL SURFACE AREA:	27.48 SQ. FT.
MAX WORKING PRESSURE:	50 PSI
MAX FLOW RATE:	20 GPM / SQ. FT.
MEDIA REQUIREMENTS	
SAND:	7,500 LBS
GRAVEL:	1,700 LBS.
WEIGHTS	
FILTER SHIPPING WEIGHT:	955 LBS
FILTER OPERATING WEIGHT:	15,500 LBS*

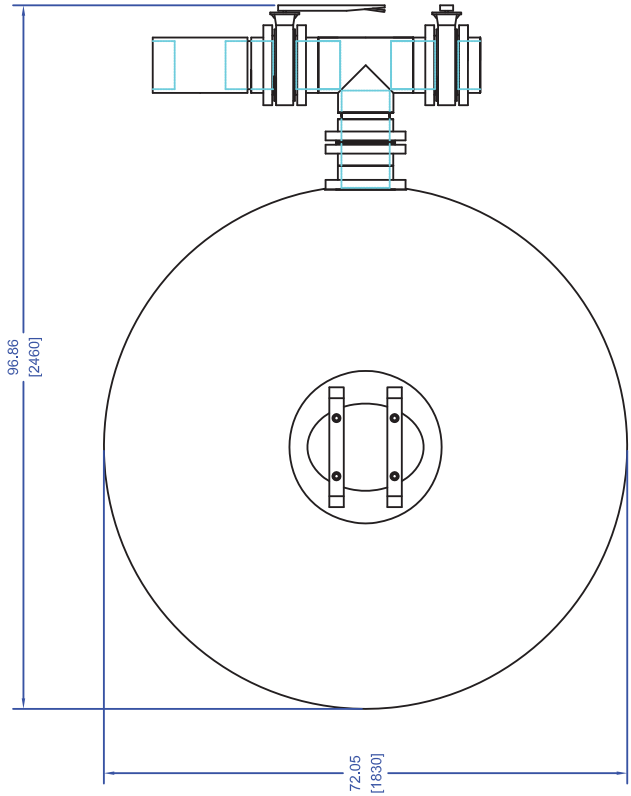
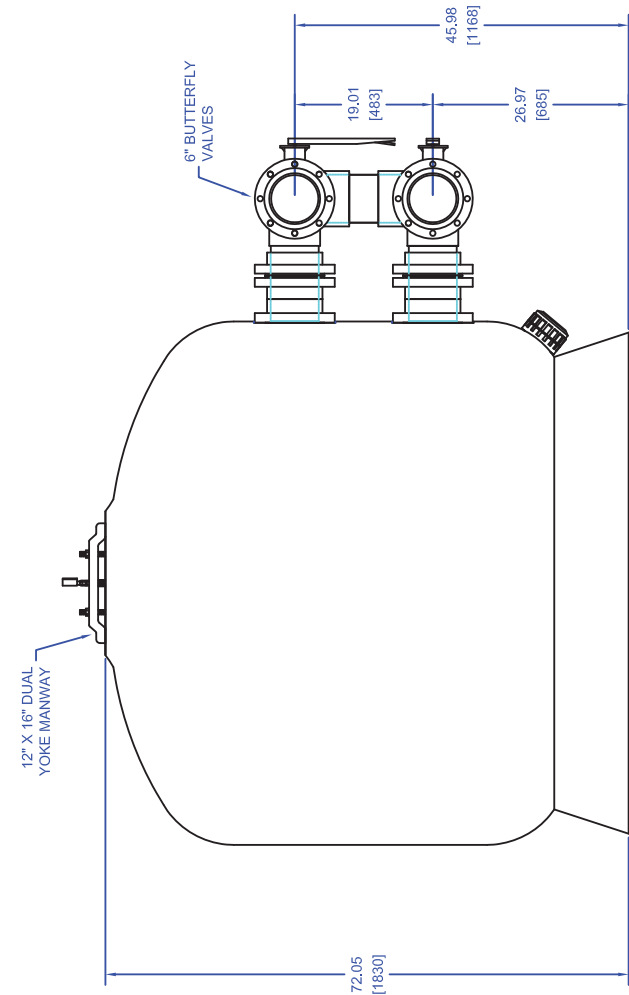
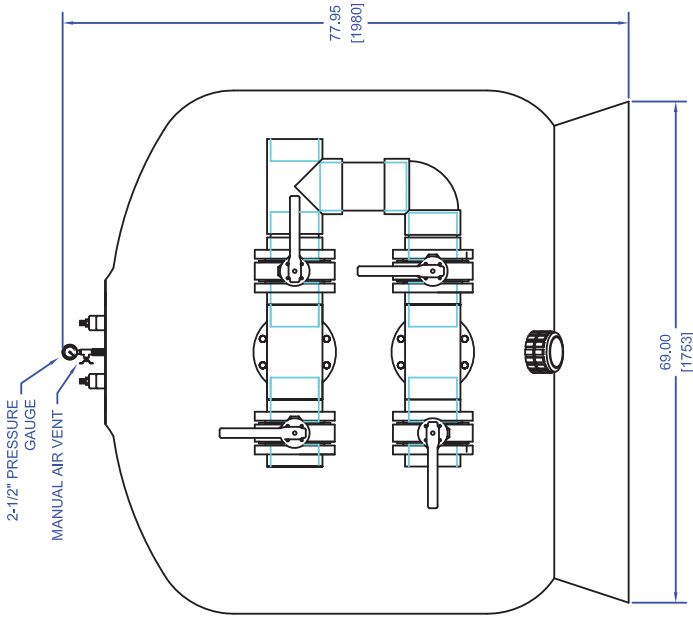
* APPROXIMATE OPERATING WEIGHT

- GENERAL NOTES:
1. MEDIA NOT INCLUDED WITH FILTER.
 2. CONCRETE SLAB TO BE DESIGNED BY OTHERS.
 3. FILTER MADE FROM HIGH STRENGTH FIBERGLASS AND RESINS.
 4. ALL INTERNAL COMPONENTS CONSTRUCTED OF SCHEDULE 80 PVC.



WATERCO MICRON SMD1800
71" WITH 6" CONNECTIONS

SCALE: NTS	DATE: 9/17/09	CHECKED:
DRAWN BY: MM	DWG. NO: 22501804151	REV:



FILTER DATA	
TOTAL SURFACE AREA:	27.48 SQ. FT.
MAX WORKING PRESSURE:	50 PSL
MAX FLOW RATE:	20 GPM / SQ. FT.
MEDIA REQUIREMENTS	
SAND:	7,500 LBS
GRAVEL:	1,700 LBS.
WEIGHTS	
FILTER SHIPPING WEIGHT:	955 LBS
FILTER OPERATING WEIGHT:	15,500 LBS*

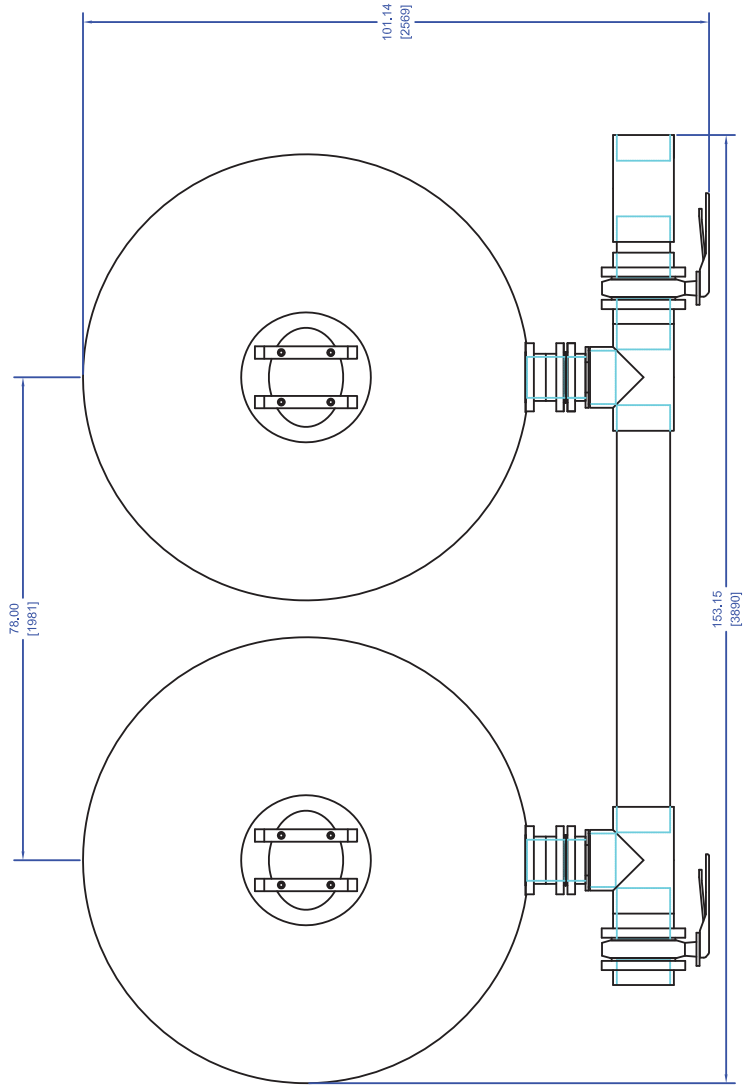
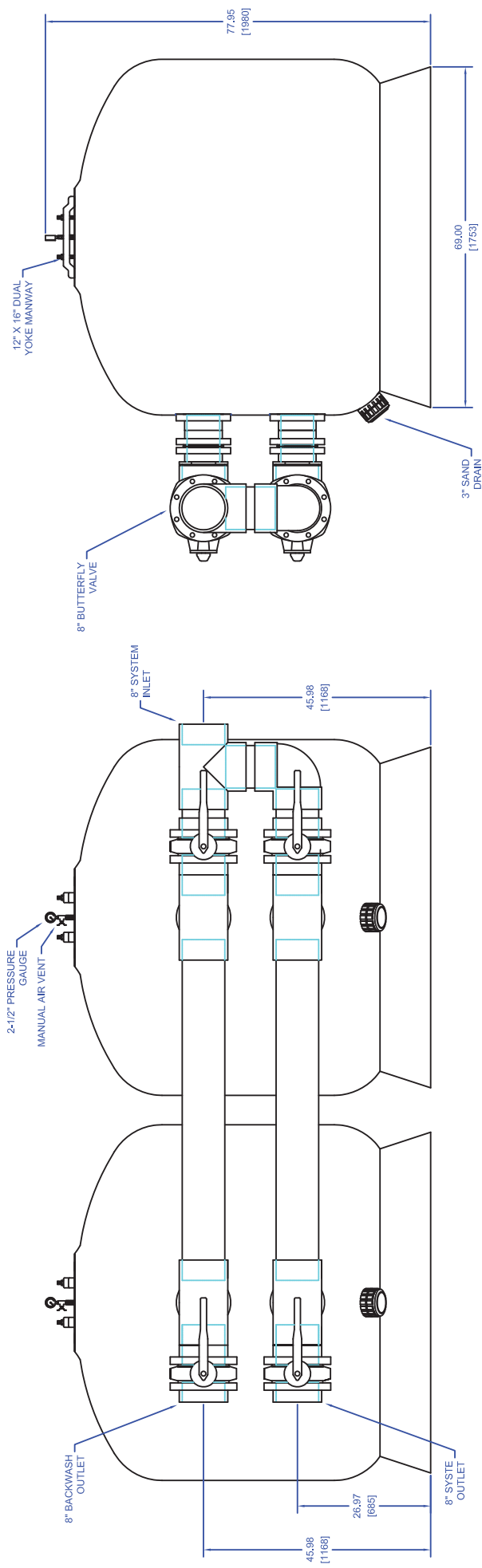
* APPROXIMATE OPERATING WEIGHT

- GENERAL NOTES:
1. MEDIA NOT INCLUDED WITH FILTER.
 2. CONCRETE SLAB TO BE DESIGNED BY OTHERS.
 3. FILTER MADE FROM HIGH STRENGTH FIBERGLASS AND RESINS.
 4. ALL INTERNAL COMPONENTS CONSTRUCTED OF SCHEDULE 80 PVC.



WATERCO MICRON SMD1800
71" WITH 6" 4-VALVE MANIFOLD

DRAWN BY:	MM	DWG. NO.:	SMD1800-1	REV.:	
SCALE:	N.T.S.	DATE:	6/13/09	CHECKED:	



GENERAL NOTES:

1. MEDIA NOT INCLUDED WITH FILTER.
2. CONCRETE SLAB TO BE DESIGNED BY OTHERS.
3. FILTER MADE FROM HIGH STRENGTH FIBERGLASS AND RESINS.
4. ALL INTERNAL COMPONENTS CONSTRUCTED OF SCHEDULE 80 PVC.

FILTER DATA

TOTAL SURFACE AREA:	27,48 SQ. FT.
MAX WORKING PRESSURE:	50 PSI
MAX FLOW RATE:	20 GPM / SQ. FT.
MEDIA REQUIREMENTS	
SAND:	7,500 LBS
GRAVEL:	1,700 LBS.
WEIGHTS	
FILTER SHIPPING WEIGHT:	955 LBS
FILTER OPERATING WEIGHT:	15,500 LBS*

* APPROXIMATE OPERATING WEIGHT



**WATERCO MICRON SMD1800
DUAL 71" WITH 8" DUAL MANIFOLD**

DRAWN BY:	MM	DWG. NO.:	SMD1800-3	REP.:	
SCALE: NTS		DATE:	6/15/09	CHECKED:	



Description: Waterco Micron Commercial sand filter – 79” commercial filter – SMD2000

Part Number: 2250200451 (w/o valve)

Media Capacity: 10,100 lbs sand, 2,000 gravel

Surface Area: 34.02 sq ft

Bulkhead Size: 6”

Filtration Rate: 15 GPM/Sq ft – 20 GPM/Sq ft

Flow Rate: 510.3 gpm (15), 680.4 gpm (20)

Media Type: #20 Silica sand (.45mm to .55mm kernel size) Pea gravel (2.5mm to 4mm)

Features

Tank construction: Fiberglass base, filament wound

Lateral system: Full 1” threaded laterals

Bulkhead assembly: 6”

Maximum operating pressure: 50psi

Internal air venting system: Continuous

Manhole inspection/service opening: 12” x 16” dual yoke manway

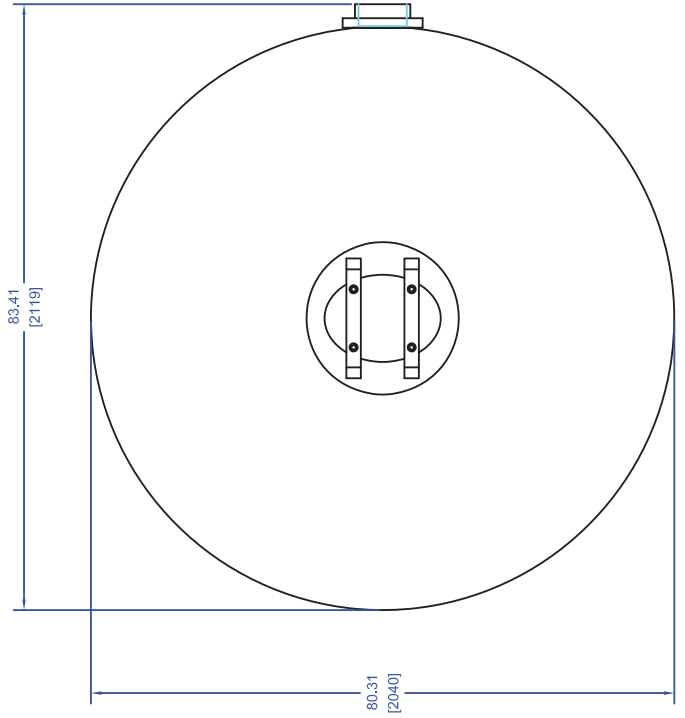
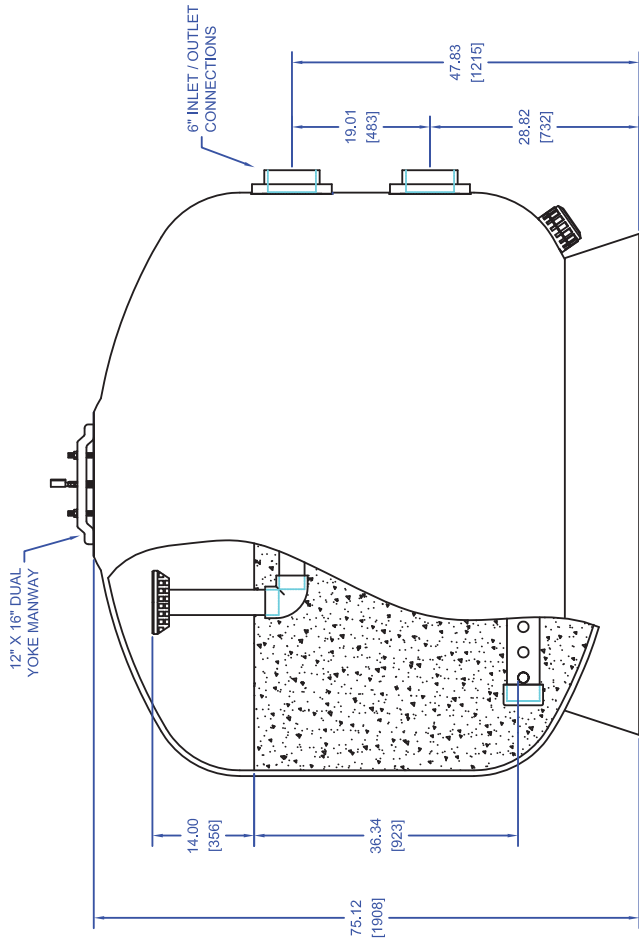
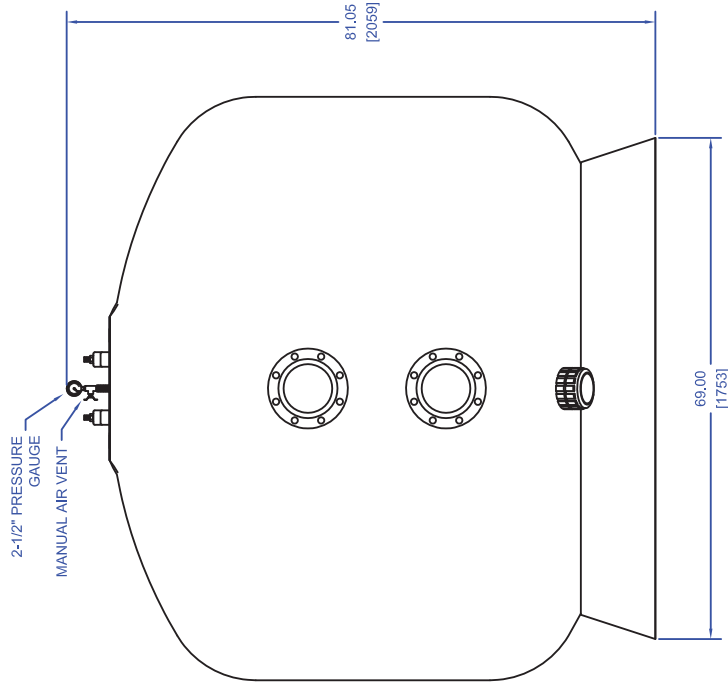
Dual overdrain distribution system: Insures even distribution of influent water

Balanced underdrain lateral system: Insures even flow of effluent water

Warranty: Tank – 5 years from date of installation

Internals – 1 year from date of installation

Shipping weight: 1100 lbs



FILTER DATA	
TOTAL SURFACE AREA:	34.02 SQ. FT.
MAX WORKING PRESSURE:	50 PSI.
MAX FLOW RATE:	20 GPM / SQ. FT.
MEDIA REQUIREMENTS	
SAND:	10,100 LBS
GRAVEL:	2,000 LBS.
WEIGHTS	
FILTER SHIPPING WEIGHT:	1,100 LBS
FILTER OPERATING WEIGHT:	20,000 LBS*

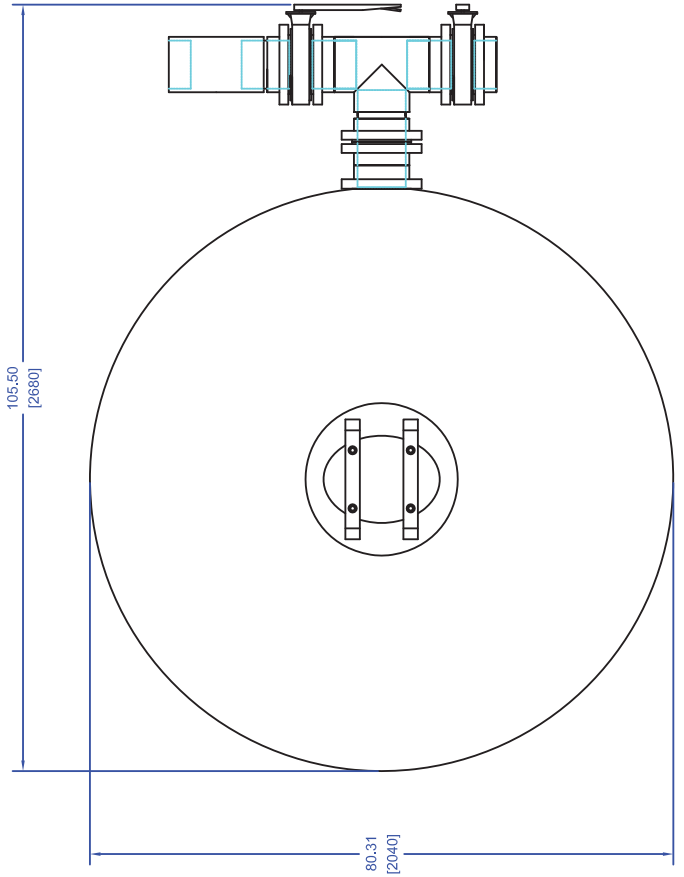
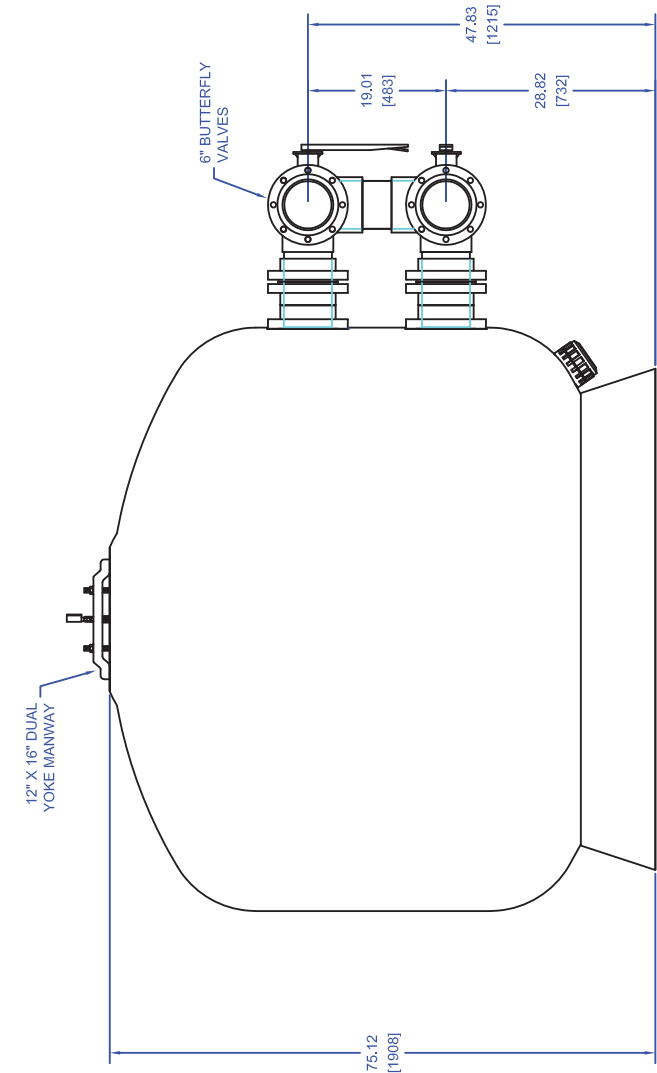
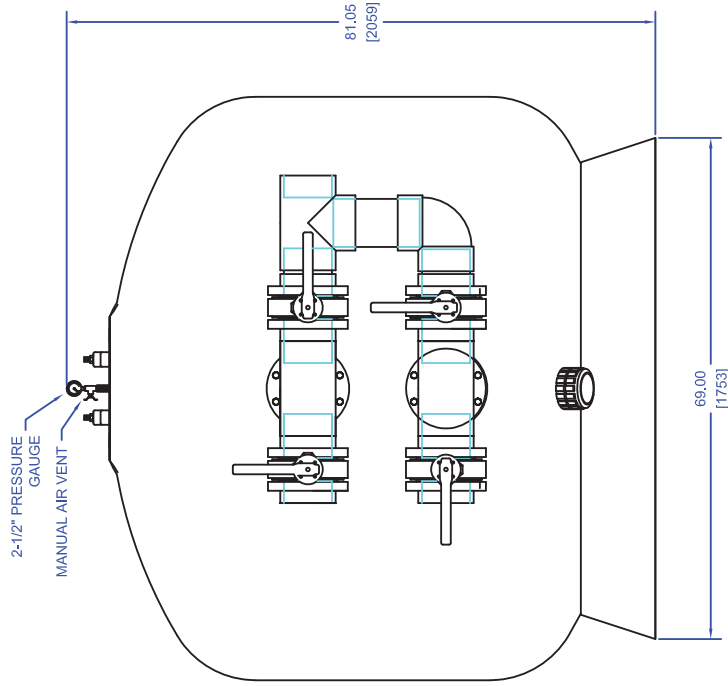
* APPROXIMATE OPERATING WEIGHT

- GENERAL NOTES:
1. MEDIA NOT INCLUDED WITH FILTER.
 2. CONCRETE SLAB TO BE DESIGNED BY OTHERS.
 3. FILTER MADE FROM HIGH STRENGTH FIBERGLASS AND RESINS.
 4. ALL INTERNAL COMPONENTS CONSTRUCTED OF SCHEDULE 80 PVC.



WATERCO MICRON SMD2000
79" WITH 6" CONNECTIONS

SCALE: NTS	DWG. NO: MM	REP: 22520004151
	DATE: 9/17/09	CHECKED:



FILTER DATA	
TOTAL SURFACE AREA:	34.02 SQ. FT.
MAX WORKING PRESSURE:	50 PSI.
MAX FLOW RATE:	20 GPM / SQ. FT.
MEDIA REQUIREMENTS	
SAND:	10,100 LBS
GRAVEL:	2,000 LBS.
WEIGHTS	
FILTER SHIPPING WEIGHT:	1,100 LBS
FILTER OPERATING WEIGHT:	20,000 LBS*

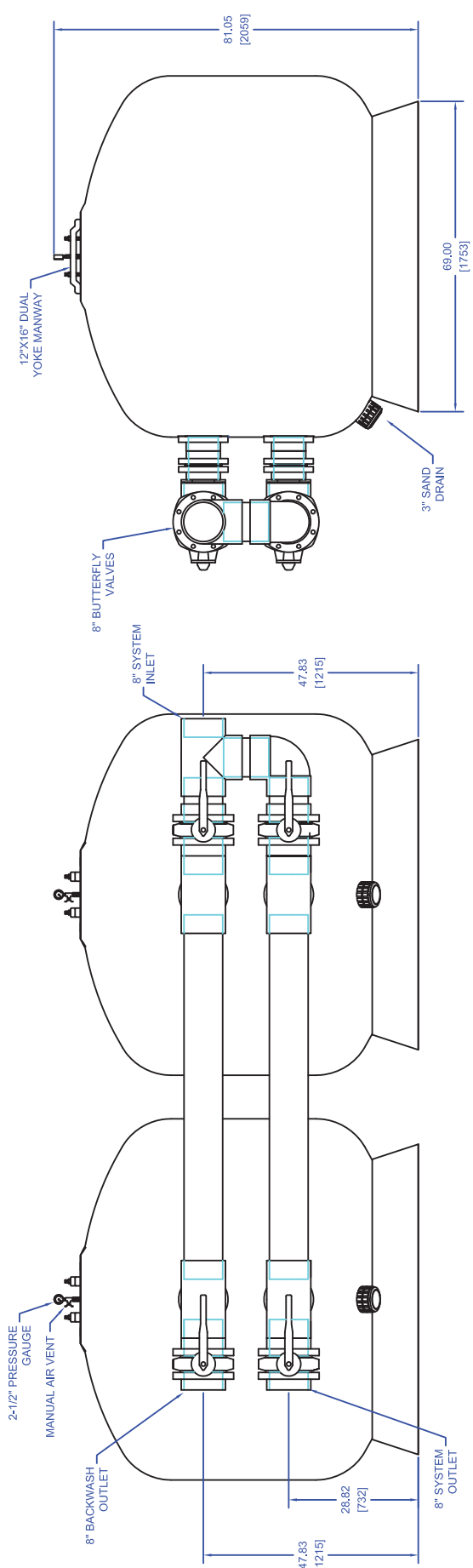
* APPROXIMATE OPERATING WEIGHT

- GENERAL NOTES:
1. MEDIA NOT INCLUDED WITH FILTER.
 2. CONCRETE SLAB TO BE DESIGNED BY OTHERS.
 3. FILTER MADE FROM HIGH STRENGTH FIBERGLASS AND RESINS.
 4. ALL INTERNAL COMPONENTS CONSTRUCTED OF SCHEDULE 80 PVC.



WATERCO MICRON SMD2000
79" WITH 6" 4-VALVE MANIFOLD

SCALE: NTS	DWG. NO: MM	REP: SMD2000-1
CHECKED:	DATE: 6/13/09	



- GENERAL NOTES:**
1. MEDIA NOT INCLUDED WITH FILTER.
 2. CONCRETE SLAB TO BE DESIGNED BY OTHERS.
 3. FILTER MADE FROM HIGH STRENGTH FIBERGLASS AND RESINS.
 4. ALL INTERNAL COMPONENTS CONSTRUCTED OF SCHEDULE 80 PVC.

FILTER DATA	
TOTAL SURFACE AREA:	68.04 SQ. FT.
MAX WORKING PRESSURE:	50 PSI.
MAX FLOW RATE:	20 GPM / SQ. FT.
MEDIA REQUIREMENTS	
SAND:	10,100 LBS EA.
GRAVEL:	2,000 LBS. EA.
WEIGHTS	
FILTER SHIPPING WEIGHT:	1,100 LBS EA.
FILTER OPERATING WEIGHT:	45,000 LBS*

* APPROXIMATE OPERATING WEIGHT



WATERCO

WATERCO MICRON SMD2000
DUAL 79" WITH 8" DUAL MANIFOLD

DRAWN BY: MM DWG. NO.: SMD2000-3 REP:
SCALE: NTS DATE: 6/16/09 CHECKED:



Description: Waterco Micron Commercial sand filter – 87” commercial filter – SM2200

Part Number: 22008814 (w/o valve)

Media Capacity: 11,200 lbs sand, 3,150 gravel

Surface Area: 41.26 sq ft

Bulkhead Size: 6”

Filtration Rate: 15 GPM/Sq ft – 20 GPM/Sq ft

Flow Rate: 613.5 gpm (15), 818 gpm (20)

Media Type: #20 Silica sand (.45mm to .55mm kernel size) Pea gravel (2.5mm to 4mm)

Features:

Tank construction: Fiberglass base, filament wound

Lateral system: Full 1” threaded laterals

Bulkhead assembly: 6”

Maximum operating pressure: 50psi

Internal air venting system: Continuous

Manhole inspection/service opening: 12” x 16” dual yoke manway

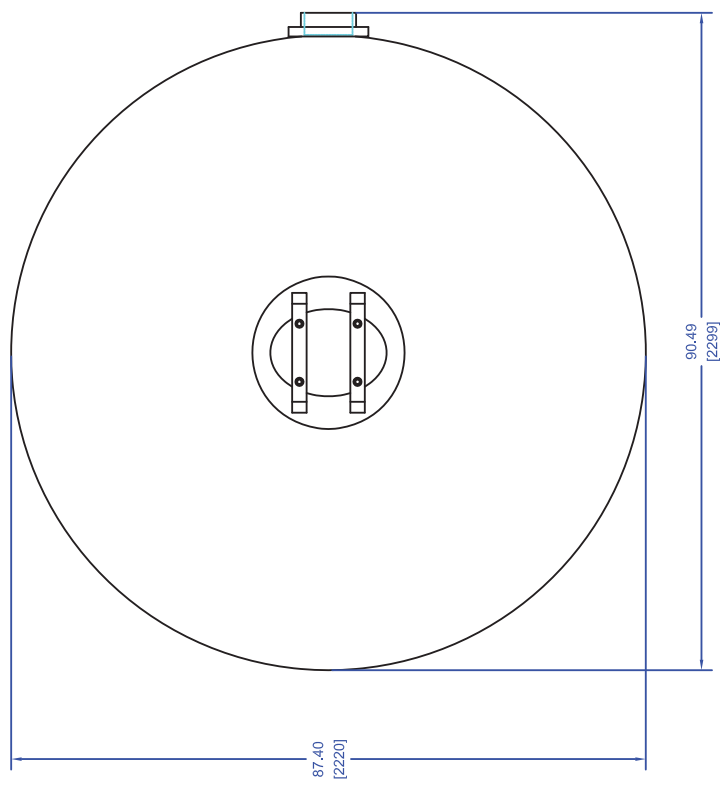
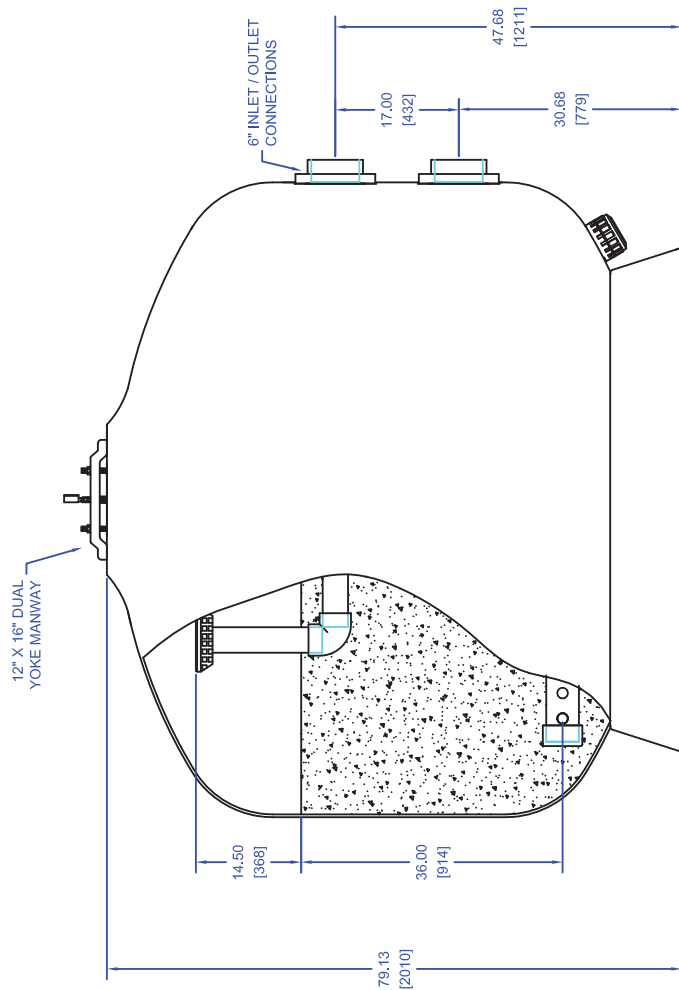
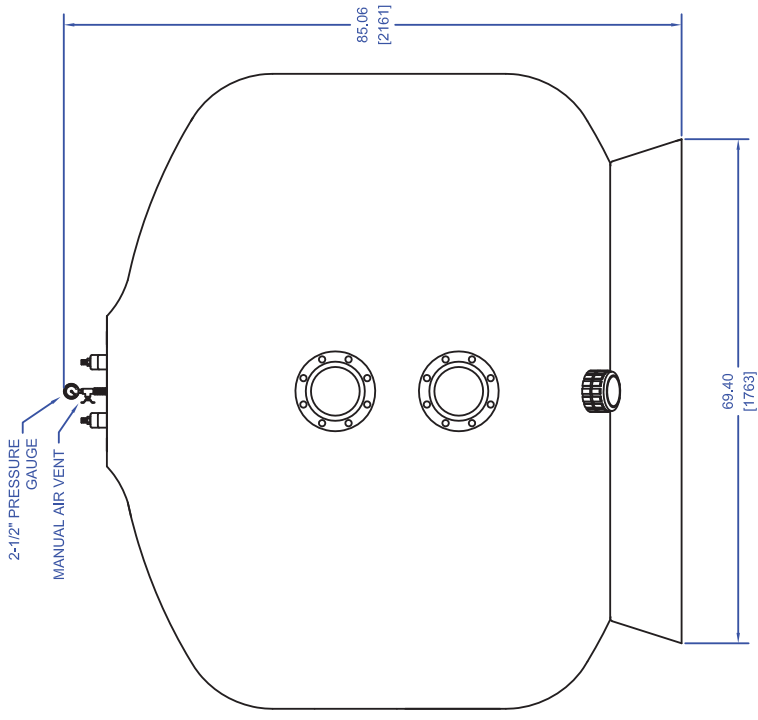
Dual overdrain distribution system: Insures even distribution of influent water

Balanced underdrain lateral system: Insures even flow of effluent water

Warranty: Tank – 5 years from date of installation

Internals – 1 year from date of installation

Shipping weight: 1800 lbs



FILTER DATA	
TOTAL SURFACE AREA:	41.26 SQ. FT.
MAX WORKING PRESSURE:	50 PSI.
MAX FLOW RATE:	20 GPM / SQ. FT.
MEDIA REQUIREMENTS	
SAND:	11,200 LBS
GRAVEL:	3,150 LBS.
WEIGHTS	
FILTER SHIPPING WEIGHT:	1800 LBS
FILTER OPERATING WEIGHT:	25,000 LBS*

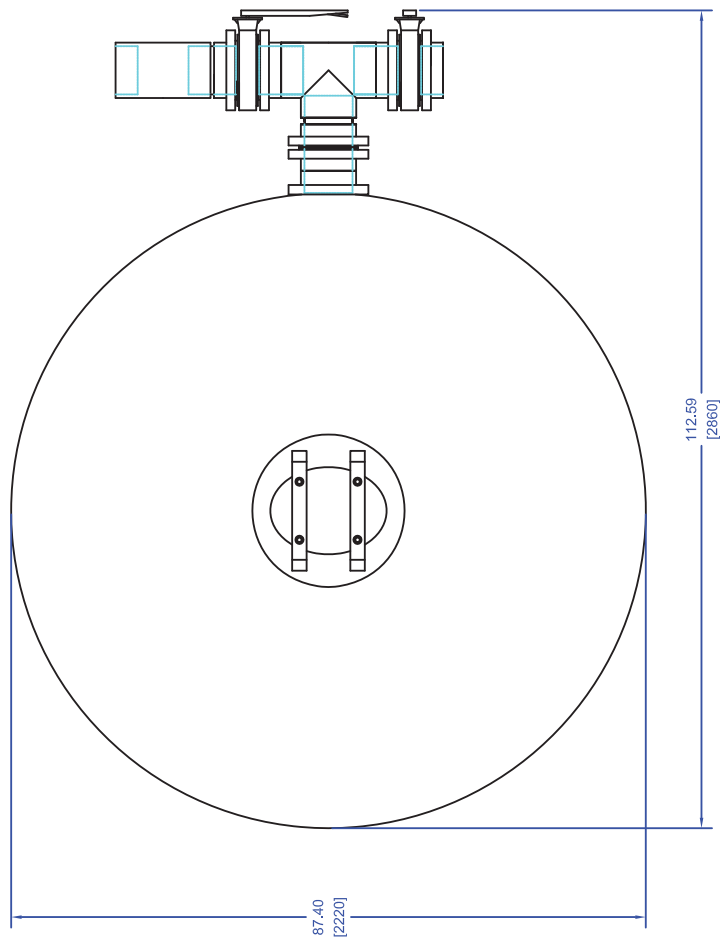
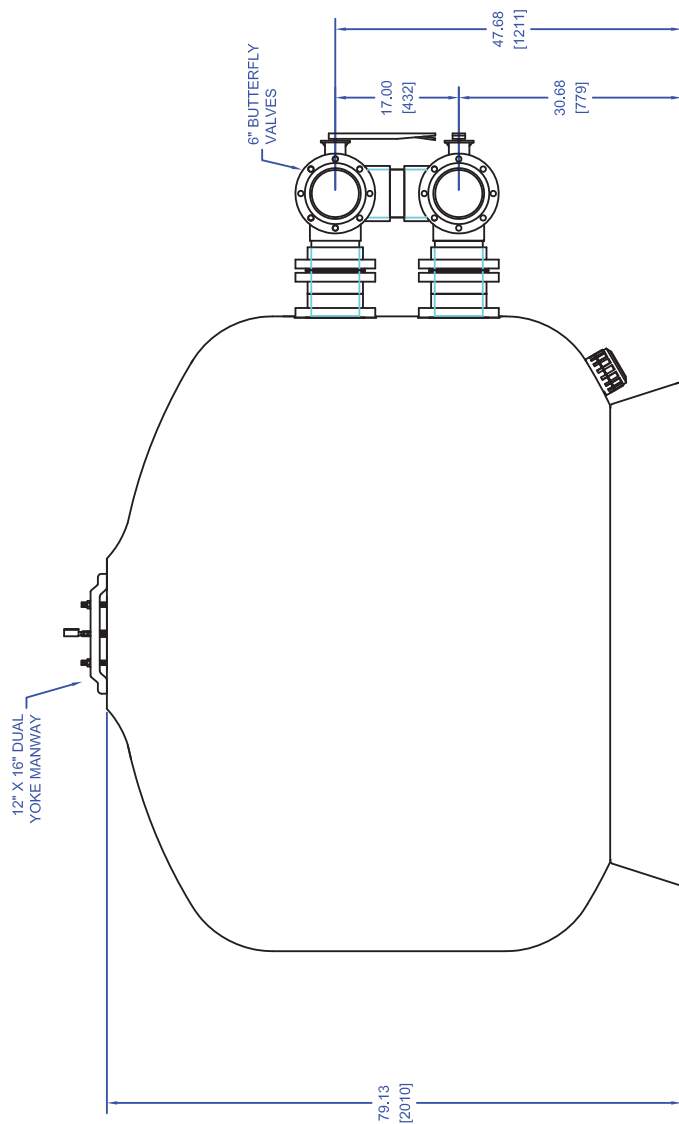
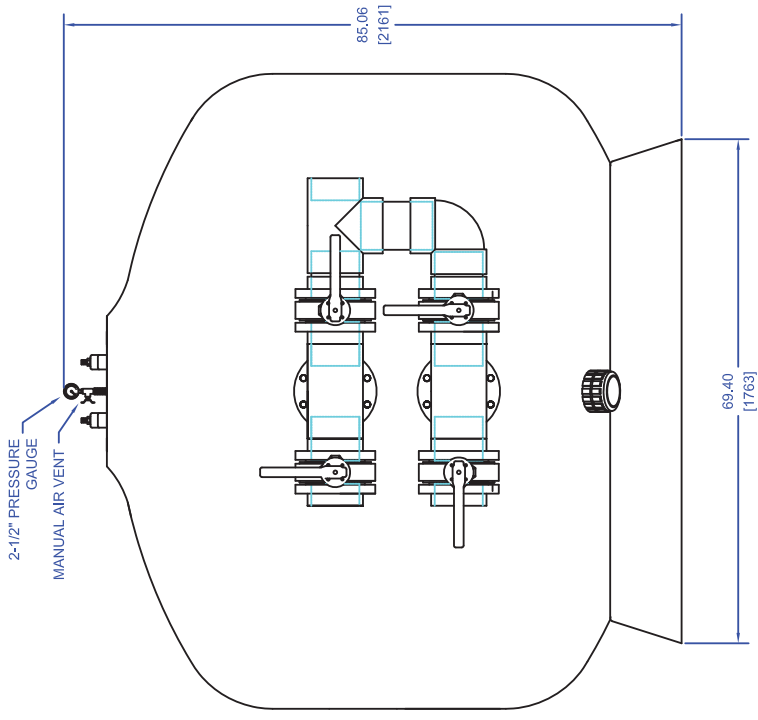
* APPROXIMATE OPERATING WEIGHT

- GENERAL NOTES:
1. MEDIA NOT INCLUDED WITH FILTER.
 2. CONCRETE SLAB TO BE DESIGNED BY OTHERS.
 3. FILTER MADE FROM HIGH STRENGTH FIBERGLASS AND RESINS.
 4. ALL INTERNAL COMPONENTS CONSTRUCTED OF SCHEDULE 80 PVC.



WATERCO MICRON SM2200
87" WITH 6" CONNECTIONS

SCALE: NTS	DWG. NO:	REP:
	MM	MM
	DATE:	CHECKED:
	9/24/09	
		22008814



FILTER DATA	
TOTAL SURFACE AREA:	41.26 SQ. FT.
MAX WORKING PRESSURE:	50 PSI.
MAX FLOW RATE:	20 GPM / SQ. FT.
MEDIA REQUIREMENTS	
SAND:	11,200 LBS
GRAVEL:	3,150 LBS.
WEIGHTS	
FILTER SHIPPING WEIGHT:	1800 LBS
FILTER OPERATING WEIGHT:	25,000 LBS*

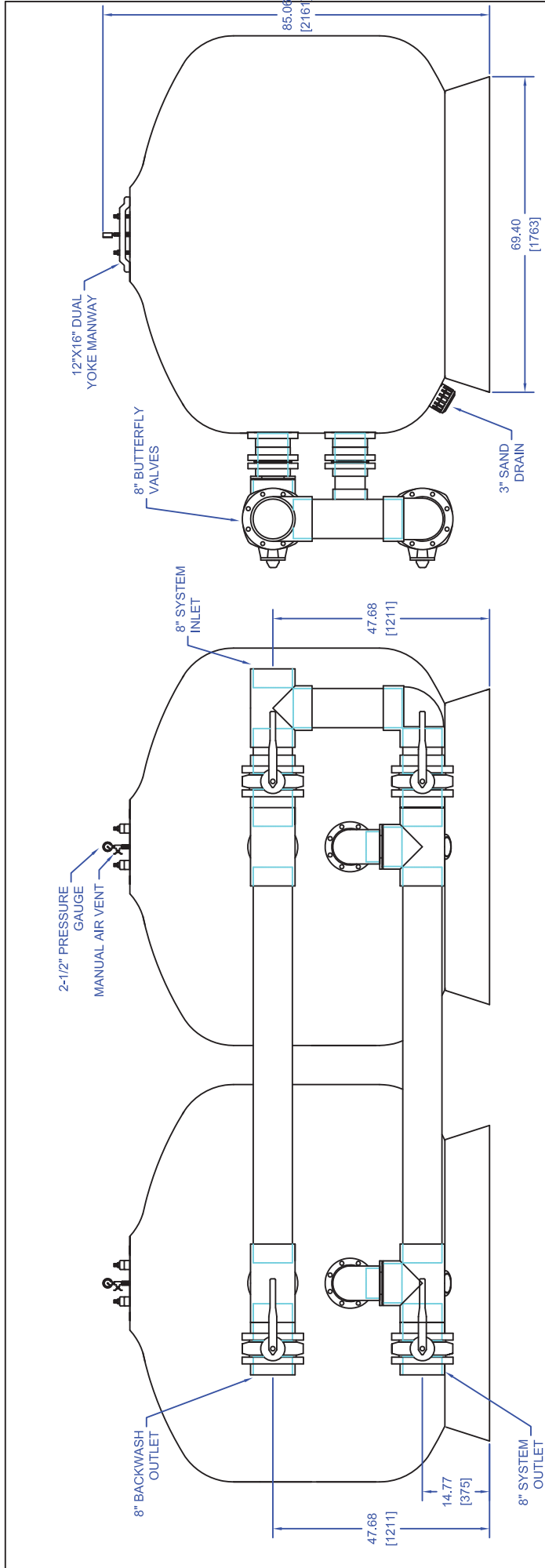
* APPROXIMATE OPERATING WEIGHT

- GENERAL NOTES:
1. MEDIA NOT INCLUDED WITH FILTER.
 2. CONCRETE SLAB TO BE DESIGNED BY OTHERS.
 3. FILTER MADE FROM HIGH STRENGTH FIBERGLASS AND RESINS.
 4. ALL INTERNAL COMPONENTS CONSTRUCTED OF SCHEDULE 80 PVC.

WATERCO

WATERCO MICRON SM2200
87" WITH 6" 4-VALVE MANIFOLD

SCALE: NTS	DWG. NO: SM2200-1	REP:
DATE: 6/13/09	CHECKED:	



- GENERAL NOTES:**
1. MEDIA NOT INCLUDED WITH FILTER.
 2. CONCRETE SLAB TO BE DESIGNED BY OTHERS.
 3. FILTER MADE FROM HIGH STRENGTH FIBERGLASS AND RESINS.
 4. ALL INTERNAL COMPONENTS CONSTRUCTED OF SCHEDULE 80 PVC.

FILTER DATA	
TOTAL SURFACE AREA:	82.52 SQ. FT.
MAX WORKING PRESSURE:	50 PSI.
MAX FLOW RATE:	20 GPM / SQ. FT.
MEDIA REQUIREMENTS	
SAND:	11,200 LBS EA.
GRAVEL:	3,150 LBS. EA.
WEIGHTS	
FILTER SHIPPING WEIGHT	1800 LBS EA.
FILTER OPERATING WEIGHT:	55,000 LBS*

* APPROXIMATE OPERATING WEIGHT



**WATERCO MICRON SM2200
DUAL 8" WITH 8" DUAL MANIFOLD**

DRAWN BY:	MM	DWG. NO.:	SM2200-3	REV#:	
SCALE: NTS		DATE:	6/16/09	CHECKED:	